

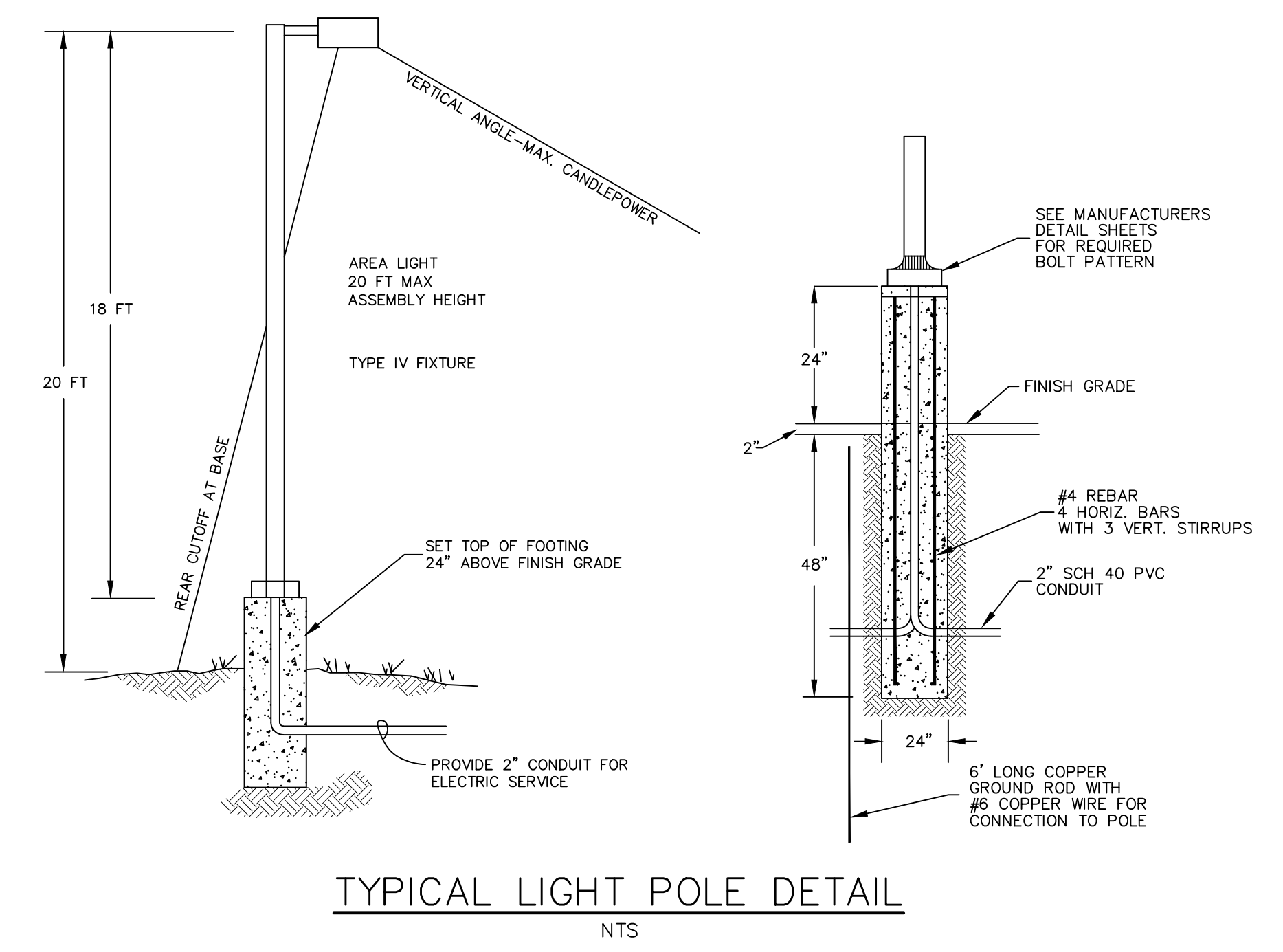
CALCULATION SUMMARY		GRID NAME	AVE	MAX	MIN	MAX/MIN/AVE	MIN
AREA NAME	DIMENSIONS						
SITE PLAN	10'x10'	MARKET	2.6	14.6	0.6	20.0	4.0

LUMINAIRE SCHEDULE		LAMP	LUMENS	MOUNTING	LLF	QTY
BLDG	WPLD26-BUILDING MOUNTED LIGHT	30W	3,666	15' BUILDING MOUNT	1.00	4
AREA	ALED4T78Y-AREA LIGHT	77W	10,504	20' POLE MOUNT	1.00	10

***NOTE:** LIGHTING VALUES SHOWN IN RED HAVE BEEN USED TO CALCULATE THE UNIFORMITY RATIO, WHILE LIGHTING VALUE SHOWN IN BLACK HAVE BEEN SHOWN TO SHOW OVERALL COVERAGE.

OWNER/APPLICANT

Noyes Properties, LLC
PO Box 42
Richmond, VT 05477



ALED4T78YK/PCS **RAB**

Project: _____ **Type:** _____

Prepared By: _____ **Date:** _____

Divide Info: Type: Constant Current, Voltage: 120V, Color Temp: 3000K (Warm), Color Accuracy: 71 CRI, Beam Spread: 120° Beam, Lumens: 10,504, Weight: 11.100lb, Efficiency: 124.1 LPM

LED Info: Type: Constant Current, Voltage: 120V, Color Temp: 3000K (Warm), Color Accuracy: 71 CRI, Beam Spread: 120° Beam, Lumens: 10,504, Weight: 11.100lb, Efficiency: 124.1 LPM

Technical Specifications:

UL Listed: Suitable for wet locations as a diveright.

ES Classification: The Type IV distribution (also known as a Floodlight) is specifically suited for mounting on the side of buildings and walls, and for illuminating the perimeter of a building or parking area.

LED Characteristics: LED Characteristics: 100% Dimmable LED (Dimmer based on IEEE LM-80 method and TM-21 calculations), LED: 50 (50) multi-chip, 130V, high-output, single-chip LED, Color Consistency: 3-step MacAdam Ellipse binning to achieve consistent beam color, Color Stability: LED color temperature is maintained to within no more than 200K in color temperature over its 50,000-hour rated life, Color Uniformity: RAB's range of Correlated Color Temperature (CCT) values and the American National Standards Institute (ANSI) binning process ensure consistent color performance across all CCTs.

Construction: IP Rating: Ingress Protection rating of IP65 for dust and water.

IP Rating: Ingress Protection rating of IP65 for dust and water.

Material: Universal mounting arm, compatible for hole spacing patterns from 1/2" to 1 1/2" center-to-center. RAB may be able to manufacture this product to be compatible with the four American AS/ASMA standards. Please contact customer service to request a quote for the products in your local market.

Mounting: Universal mounting arm, compatible for hole spacing patterns from 1/2" to 1 1/2" center-to-center. RAB may be able to manufacture this product to be compatible with the four American AS/ASMA standards. Please contact customer service to request a quote for the products in your local market.

Roofing: The ALED design is produced by patents in the U.S. Pat. 6,833,374; Canada Pat. 1,465,020; China 32,203,029; Mexico Pat. 1,942,121; and India Pat. 1,942,121.

Power Factor: 99.5% at 120V, 93.8% at 277V

Surge Protection: Yes

Dimensions: _____

Features: 86% energy cost savings vs. HID, 100,000-hour LED lifespan, 5-year, No-Compromise Warranty.

ALED4T78YK/PCS **RAB**

Project: _____ **Type:** _____

Prepared By: _____ **Date:** _____

Divide Info: Type: Constant Current, Voltage: 120V, Color Temp: 3000K (Warm), Color Accuracy: 71 CRI, Beam Spread: 120° Beam, Lumens: 10,504, Weight: 11.100lb, Efficiency: 124.1 LPM

LED Info: Type: Constant Current, Voltage: 120V, Color Temp: 3000K (Warm), Color Accuracy: 71 CRI, Beam Spread: 120° Beam, Lumens: 10,504, Weight: 11.100lb, Efficiency: 124.1 LPM

Technical Specifications:

UL Listed: Suitable for wet locations as a diveright.

ES Classification: The Type IV distribution (also known as a Floodlight) is specifically suited for mounting on the side of buildings and walls, and for illuminating the perimeter of a building or parking area.

LED Characteristics: LED Characteristics: 100% Dimmable LED (Dimmer based on IEEE LM-80 method and TM-21 calculations), LED: 50 (50) multi-chip, 130V, high-output, single-chip LED, Color Consistency: 3-step MacAdam Ellipse binning to achieve consistent beam color, Color Stability: LED color temperature is maintained to within no more than 200K in color temperature over its 50,000-hour rated life, Color Uniformity: RAB's range of Correlated Color Temperature (CCT) values and the American National Standards Institute (ANSI) binning process ensure consistent color performance across all CCTs.

Construction: IP Rating: Ingress Protection rating of IP65 for dust and water.

IP Rating: Ingress Protection rating of IP65 for dust and water.

Material: Universal mounting arm, compatible for hole spacing patterns from 1/2" to 1 1/2" center-to-center. RAB may be able to manufacture this product to be compatible with the four American AS/ASMA standards. Please contact customer service to request a quote for the products in your local market.

Mounting: Universal mounting arm, compatible for hole spacing patterns from 1/2" to 1 1/2" center-to-center. RAB may be able to manufacture this product to be compatible with the four American AS/ASMA standards. Please contact customer service to request a quote for the products in your local market.

Roofing: The ALED design is produced by patents in the U.S. Pat. 6,833,374; Canada Pat. 1,465,020; China 32,203,029; Mexico Pat. 1,942,121; and India Pat. 1,942,121.

Power Factor: 99.5% at 120V, 93.8% at 277V

Surge Protection: Yes

Dimensions: _____

Features: 86% energy cost savings vs. HID, 100,000-hour LED lifespan, 5-year, No-Compromise Warranty.

ALED4T78YK/PCS **RAB**

Project: _____ **Type:** _____

Prepared By: _____ **Date:** _____

Divide Info: Type: Constant Current, Voltage: 120V, Color Temp: 3000K (Warm), Color Accuracy: 71 CRI, Beam Spread: 120° Beam, Lumens: 10,504, Weight: 11.100lb, Efficiency: 124.1 LPM

LED Info: Type: Constant Current, Voltage: 120V, Color Temp: 3000K (Warm), Color Accuracy: 71 CRI, Beam Spread: 120° Beam, Lumens: 10,504, Weight: 11.100lb, Efficiency: 124.1 LPM

Technical Specifications:

UL Listed: Suitable for wet locations as a diveright.

ES Classification: The Type IV distribution (also known as a Floodlight) is specifically suited for mounting on the side of buildings and walls, and for illuminating the perimeter of a building or parking area.

LED Characteristics: LED Characteristics: 100% Dimmable LED (Dimmer based on IEEE LM-80 method and TM-21 calculations), LED: 50 (50) multi-chip, 130V, high-output, single-chip LED, Color Consistency: 3-step MacAdam Ellipse binning to achieve consistent beam color, Color Stability: LED color temperature is maintained to within no more than 200K in color temperature over its 50,000-hour rated life, Color Uniformity: RAB's range of Correlated Color Temperature (CCT) values and the American National Standards Institute (ANSI) binning process ensure consistent color performance across all CCTs.

Construction: IP Rating: Ingress Protection rating of IP65 for dust and water.

IP Rating: Ingress Protection rating of IP65 for dust and water.

Material: Universal mounting arm, compatible for hole spacing patterns from 1/2" to 1 1/2" center-to-center. RAB may be able to manufacture this product to be compatible with the four American AS/ASMA standards. Please contact customer service to request a quote for the products in your local market.

Mounting: Universal mounting arm, compatible for hole spacing patterns from 1/2" to 1 1/2" center-to-center. RAB may be able to manufacture this product to be compatible with the four American AS/ASMA standards. Please contact customer service to request a quote for the products in your local market.

Roofing: The ALED design is produced by patents in the U.S. Pat. 6,833,374; Canada Pat. 1,465,020; China 32,203,029; Mexico Pat. 1,942,121; and India Pat. 1,942,121.

Power Factor: 99.5% at 120V, 93.8% at 277V

Surge Protection: Yes

Dimensions: _____

Features: 86% energy cost savings vs. HID, 100,000-hour LED lifespan, 5-year, No-Compromise Warranty.

POLE MOUNTED FIXTURE
NTS

WPLD26 **RAB**

Project: _____ **Type:** _____

Prepared By: _____ **Date:** _____

Divide Info: Type: Constant Current, Voltage: 120V, Color Temp: 3000K (Warm), Color Accuracy: 71 CRI, Beam Spread: 120° Beam, Lumens: 3,666, Weight: 7.2 lbs, Efficiency: 118.3 LPM

LED Info: Type: Constant Current, Voltage: 120V, Color Temp: 3000K (Warm), Color Accuracy: 71 CRI, Beam Spread: 120° Beam, Lumens: 3,666, Weight: 7.2 lbs, Efficiency: 118.3 LPM

Technical Specifications:

UL Listed: Suitable for wet locations. Suitable for mounting when used in a diveright.

ES Classification: This product is listed by Design Light Corporation (DLC) as an eligible product for use in the Energy Star program.

LED Characteristics: LED Characteristics: 100% Dimmable LED (Dimmer based on IEEE LM-80 method and TM-21 calculations), LED: 50 (50) multi-chip, 130V, high-output, single-chip LED, Color Consistency: 3-step MacAdam Ellipse binning to achieve consistent beam color, Color Stability: LED color temperature is maintained to within no more than 200K in color temperature over its 50,000-hour rated life, Color Uniformity: RAB's range of Correlated Color Temperature (CCT) values and the American National Standards Institute (ANSI) binning process ensure consistent color performance across all CCTs.

Construction: IP Rating: Ingress Protection rating of IP65 for dust and water.

IP Rating: Ingress Protection rating of IP65 for dust and water.

Material: Universal mounting arm, compatible for hole spacing patterns from 1/2" to 1 1/2" center-to-center. RAB may be able to manufacture this product to be compatible with the four American AS/ASMA standards. Please contact customer service to request a quote for the products in your local market.

Mounting: Universal mounting arm, compatible for hole spacing patterns from 1/2" to 1 1/2" center-to-center. RAB may be able to manufacture this product to be compatible with the four American AS/ASMA standards. Please contact customer service to request a quote for the products in your local market.

Roofing: The WPLD design is produced by patents in the U.S. Pat. 6,833,374; Canada Pat. 1,465,020; China 32,203,029; Mexico Pat. 1,942,121; and India Pat. 1,942,121.

Power Factor: 99.5% at 120V, 93.8% at 277V

Surge Protection: Yes

Dimensions: _____

Features: 86% energy cost savings vs. HID, 100,000-hour LED lifespan, 5-year, No-Compromise Warranty.

APEX LIGHTING SOLUTIONS

BARN LIGHT USA

THE SYDNEY COLLECTION

Mounting Styles: CHAIN HUNG PENDANT (CH), CORD HUNG PENDANT (C), STEM MOUNT PENDANT (S), GOOSENECK (G)

Flush Mount (F): *FST GLASS VISIBLE HERE

AVAILABLE SHADE SIZES:

SHADE CODE	HEIGHT (H)	DIAMETER (D)
ULS13	14"	14"
ULS16	11.25"	16"
ULS18	11.25"	18"

18745 BILEVEL SENSOR FOR D10 **RAB LIGHTING**

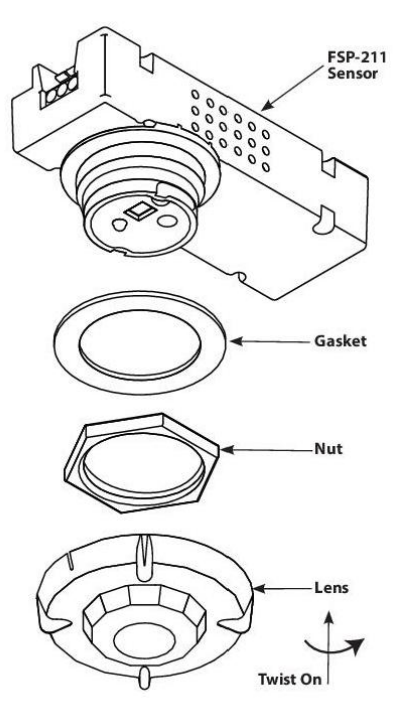


IMPORTANT
READ CAREFULLY BEFORE INSTALLING FIXTURE. RETAIN THESE INSTRUCTIONS FOR FUTURE REFERENCE.
FSP-211 is used with a 120-277VAC dimmable driver and is shipped with the Factory Settings (refer to Specifications and Operation below for details). If settings other than factory pre-sets are desired, the consumer must purchase FSR-100/RAB CAT4 (WSRM) wireless commissioning tool (remote) to re-program sensor settings.
CAUTION: If replacing lens: For proper weatherproof function gasket must be properly sealed.

SPECIFICATIONS
Sensor is IP66 rated. Suitable for Wet locations as factory installed.
MAX Load: 800W at 120V, 1200W at 277V
Operating Temperature: -40°C to +55°C (-40°F to +167°F)
Relay Rating: 200,000 cycles

Factory Settings:
• High Mode: 10V (100% lumen output)
• Low Mode: 1V (10% lumen output)
• Time Delay: 5 minutes
• Cut-off: 1 hour
• Sensitive: 4 ft.
• Sensitivity: Max
• Ramp-up Time: none
• Fade-down Time: none

OPERATION (DIMMABLE DRIVER)
• Ambient light above the Sensitive causes sensor to keep fixture light off, despite detected motion
• High Mode activates with initial motion detection
• After High Mode activation, no motion detection for duration of Time Delay activates Low Mode
• After Low Mode activation, no motion detection for duration of Cut-off turns off light fixture

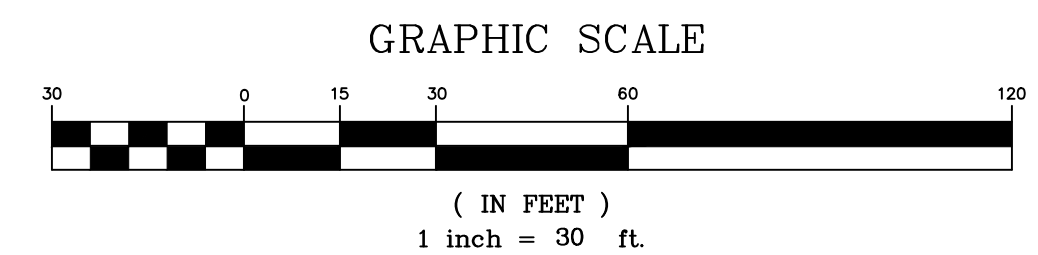
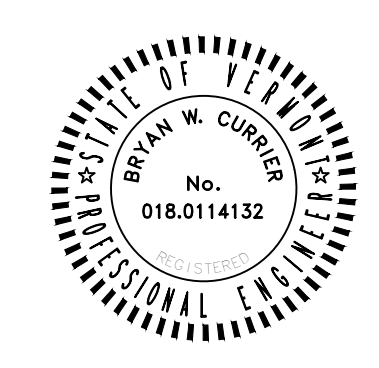


Note:
PARKING AREA LIGHTING FIXTURES SHALL BE EQUIPPED WITH THE RAB BILEVEL SENSOR OR APPROVED EQUAL. THE LIGHTING SENSOR SHALL BE PROGRAMMED TO ADJUST LIGHTING OUTPUT TO 10% AT NIGHT OUTSIDE OF REGULAR STORE HOURS. DURING REDUCED OUTPUT TIMES, IF THE SENSOR DETECTS MOTION, ALL LIGHTING FIXTURES WILL TURN TO 100% OUTPUT.

LIGHTING SENSOR
NTS

OVERHANG MOUNTED FIXTURE
NTS

BUILDING MOUNTED FIXTURE
NTS



DATE	REVISION	DESCRIPTION	BY
11-29-21		ADDED LIGHTING SENSOR NOTES	BWC
10-11-21		RELOCATED REFRIGERATION PAD TO THE SOUTH SIDE OF BUILDING	BWC
9-16-21		REDUCED PARKING DOWN TO 75 SPACES	BWC
8-30-21		ADDED LIGHTING SPECIFICATION FOR UNDERNEATH 5' OVERHANG ON SOUTH AND WEST SIDES OF BUILDING	BWC

Richmond Market

O'LEARY-BURKE CIVIL ASSOCIATES, PLC

13 CORPORATE DRIVE
ESSEX, VT 05458
PHONE: 878-9990
FAX: 878-9989
E-MAIL: ocb@olearyburke.com

Lighting Plan

DATE: 3-18-21
FILE: 2019-03
PLAN SHEET #: 4