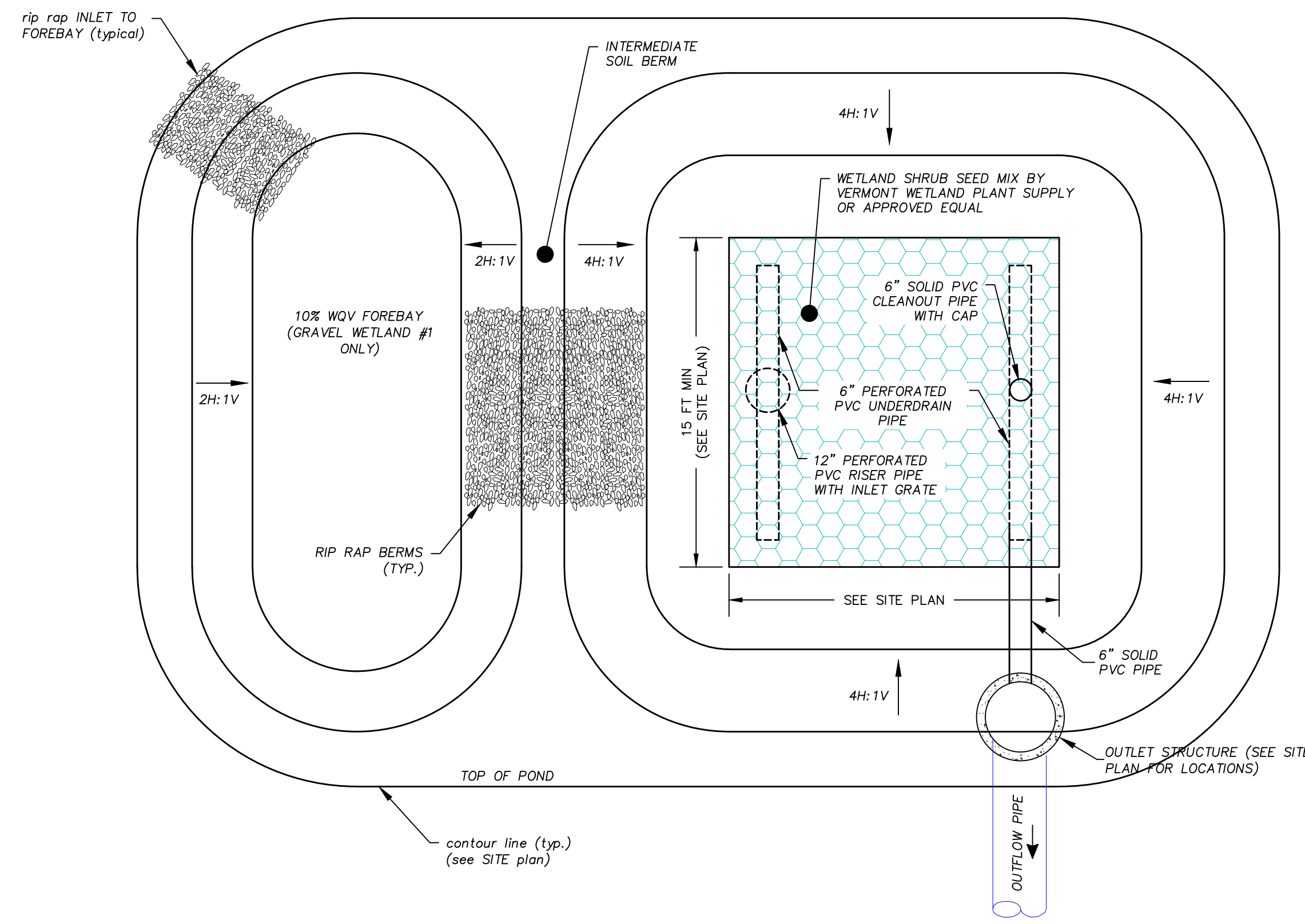


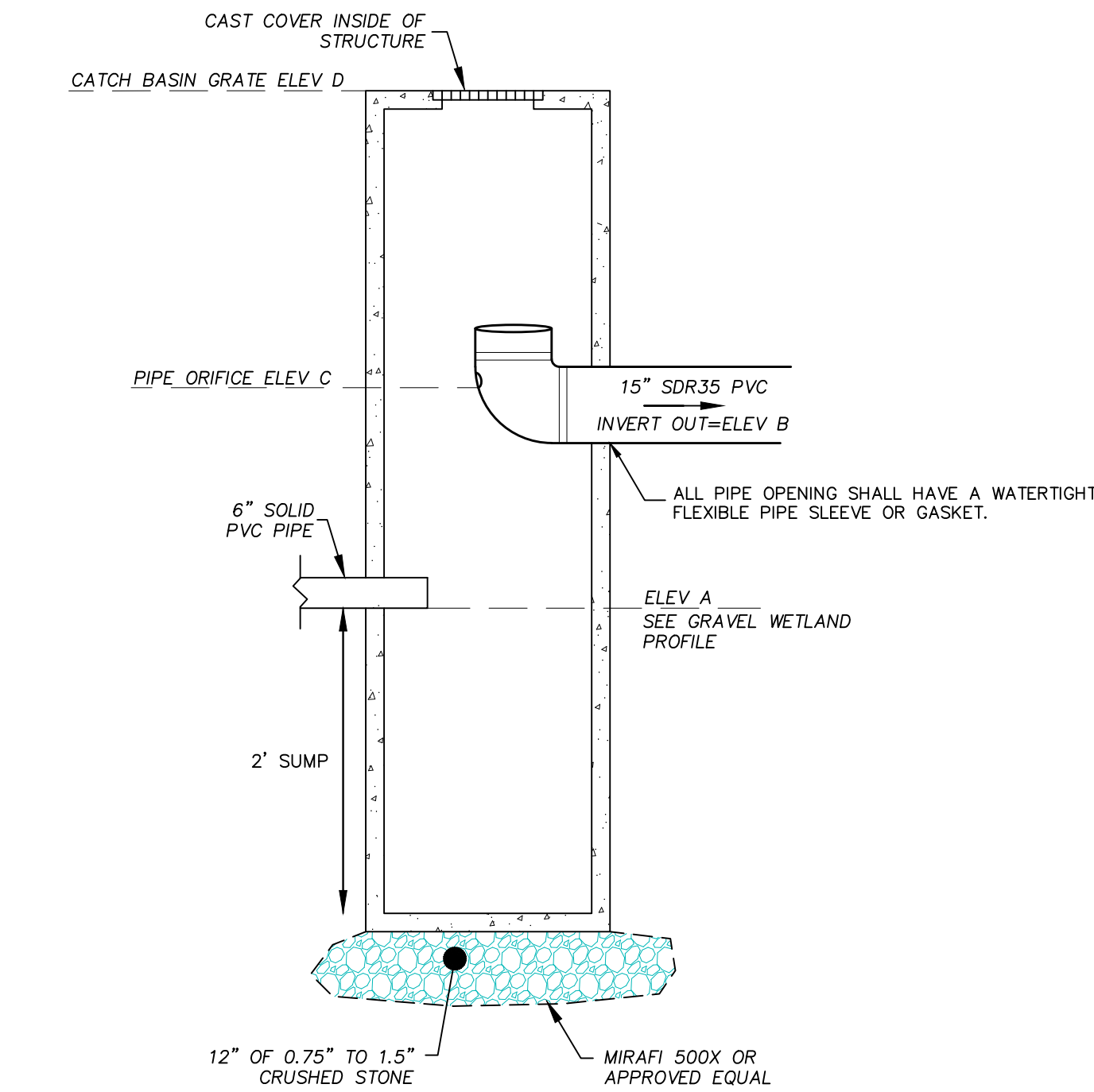
STORM SYSTEM MAINTENANCE

SYSTEM MAINTENANCE IS IMPORTANT FOR TREATMENT AND CONTROL OF STORM RUNOFF FROM THE IMPERVIOUS SURFACES (BUILDINGS, ROAD, DRIVEWAY, AND SIDEWALKS). THE FOLLOWING ELEMENTS FORM THE MINIMUM REQUIREMENTS:

1. THE OWNER (OR REPRESENTATIVE) SHALL PERFORM INSPECTIONS ANNUALLY AND FOLLOWING SIGNIFICANT (LARGE) STORM EVENTS. THE FOLLOWING ITEMS SHALL BE REVIEWED: CONDITION OF THE VEGETATION, CONDITION OF THE DITCH SURFACES, DEPTH OF ACCUMULATED SEDIMENT (IF ANY), THE PRESENCE OF EROSION (IF ANY), CONDITION OF THE STORM PIPES, AND THE CONDITION OF THE PIPE INLETS AND OUTLETS. ANY OBSERVABLE DEGRADATION OF THE STORM SYSTEM SHALL BE NOTED.
2. THE OWNER (OR REPRESENTATIVE) SHALL COMPLETE REPAIR OF ANY ITEMS AS REQUIRED TO MAINTAIN OPTIMAL SYSTEM OPERATION. AT A MINIMUM, THE FOLLOWING ITEMS SHALL BE INCLUDED:
 - A. FOLLOWING ANY MAJOR STORMS ANY EROSION GULLIES 6 INCHES OR DEEPER SHALL BE FILLED AND VEGETATION ESTABLISHED IN THE DISTURBED AREA.
 - B. SEDIMENT ACCUMULATED TO A DEPTH OF MORE THAN 6 INCHES IN ANY CONVEYANCE SWALES OR THE SEDIMENT FOREBAY SHALL BE REMOVED AND DISPOSED OF IN AN UPLAND AREA THAT IS NOT WITHIN 100 FEET OF WATERS OF THE STATE. VEGETATION SHALL BE ESTABLISHED IN ALL DISTURBED AREAS.
 - C. VEGETATION SHALL BE ESTABLISHED AS NEEDED, IN AREAS OF BARE SOIL. THIS IS PARTICULARLY IMPORTANT IN FLOW AREAS WHERE VEGETATION PROVIDES SEDIMENT REMOVAL.
 - D. THE CATCH BASIN SUMPS SHALL BE CLEANED WHEN THE ACCUMULATED SEDIMENT EXCEEDS 12" IN DEPTH (THE SUMPS ARE 24" IN DEPTH).
 - E. SILT FENCES SHALL BE USED IF NEEDED TO PREVENT EROSION AND AID IN THE ESTABLISHMENT OF VEGETATION. THESE TEMPORARY MEASURES SHALL BE REMOVED AFTER THE SITE IS STABILIZED AND THE RISK OF EROSION IS REDUCED.
 - F. THE GRASSED AREAS SHALL BE MOWED AS NEEDED TO PREVENT THE ESTABLISHMENT OF WOODY VEGETATION.
 - G. INSPECT THE PVC RISER PIPES WITHIN THE GRAVEL WETLAND FOR CLOGGING AND DEBRIS.
 - H. ANY SIGNIFICANT BUILDUP OF SEDIMENT IN THE WETLAND AREA SHALL BE REMOVED TO PREVENT THE GRAVEL BASE FROM BECOMING CLOGGED.
 - I. REPORT ANY WETLAND VEGETATION IN POORLY ESTABLISHED AREAS.
3. THE OWNER SHALL MECHANICALLY SWEEP AND REMOVE SEDIMENTS IN THE ROADWAY AREAS AND CATCH BASIN SUMPS AS NECESSARY PRIOR TO MAY 15TH.



TYPICAL PLAN VIEW



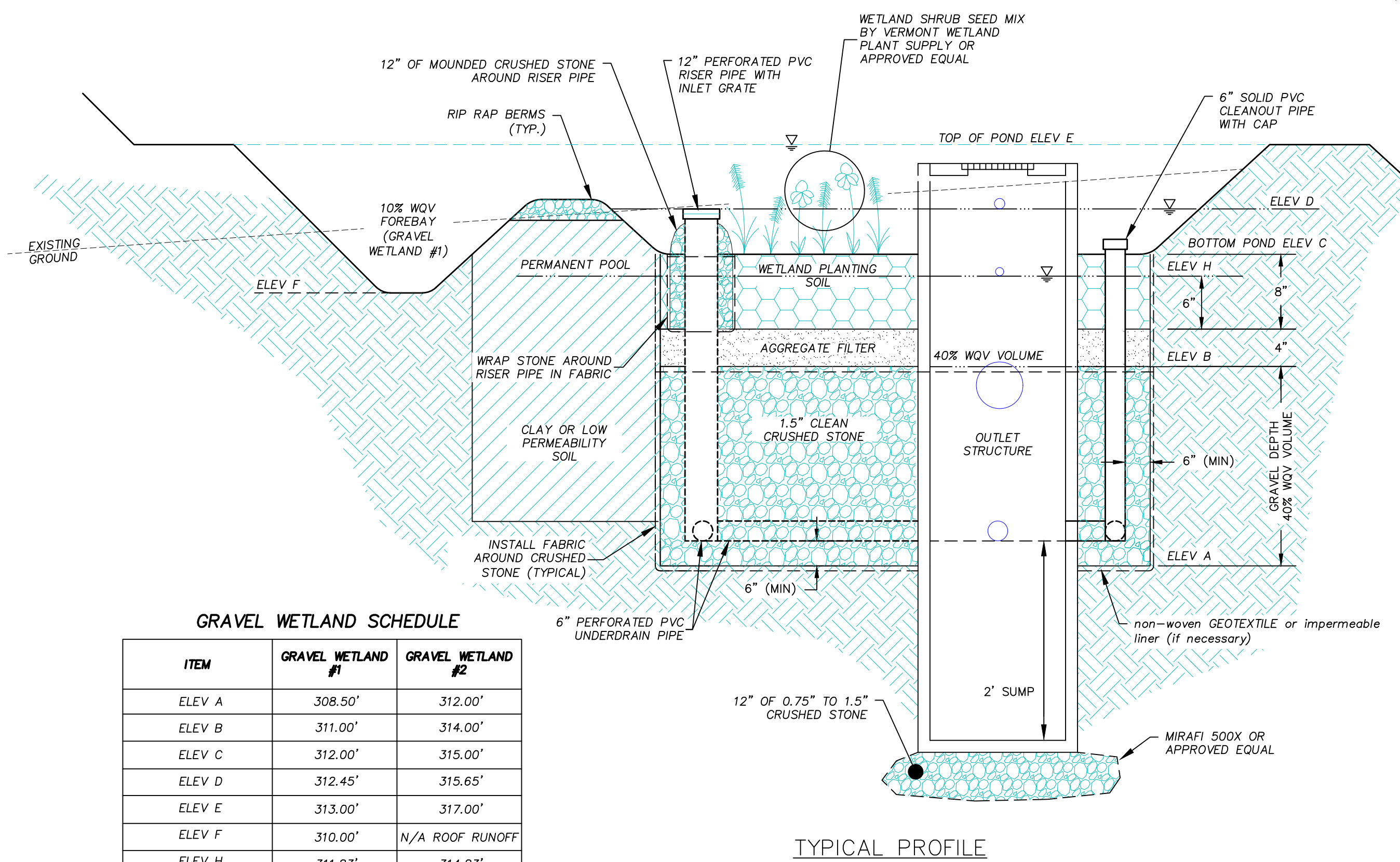
OUTLET STRUCTURE PROFILE

OUTLET STRUCTURE SCHEDULE

ITEM	GRAVEL WETLAND #1		GRAVEL WETLAND #2	
	ELEV	SIZE	ELEV	SIZE
ELEV A	309.00'	6"	312.50'	6"
ELEV B	309.89'	15"	313.08'	15"
ELEV C	311.00'	3"	315.00'	2"
ELEV D	312.50'	24"x24"	316.50'	24"x24"

GRAVEL WETLAND SCHEDULE

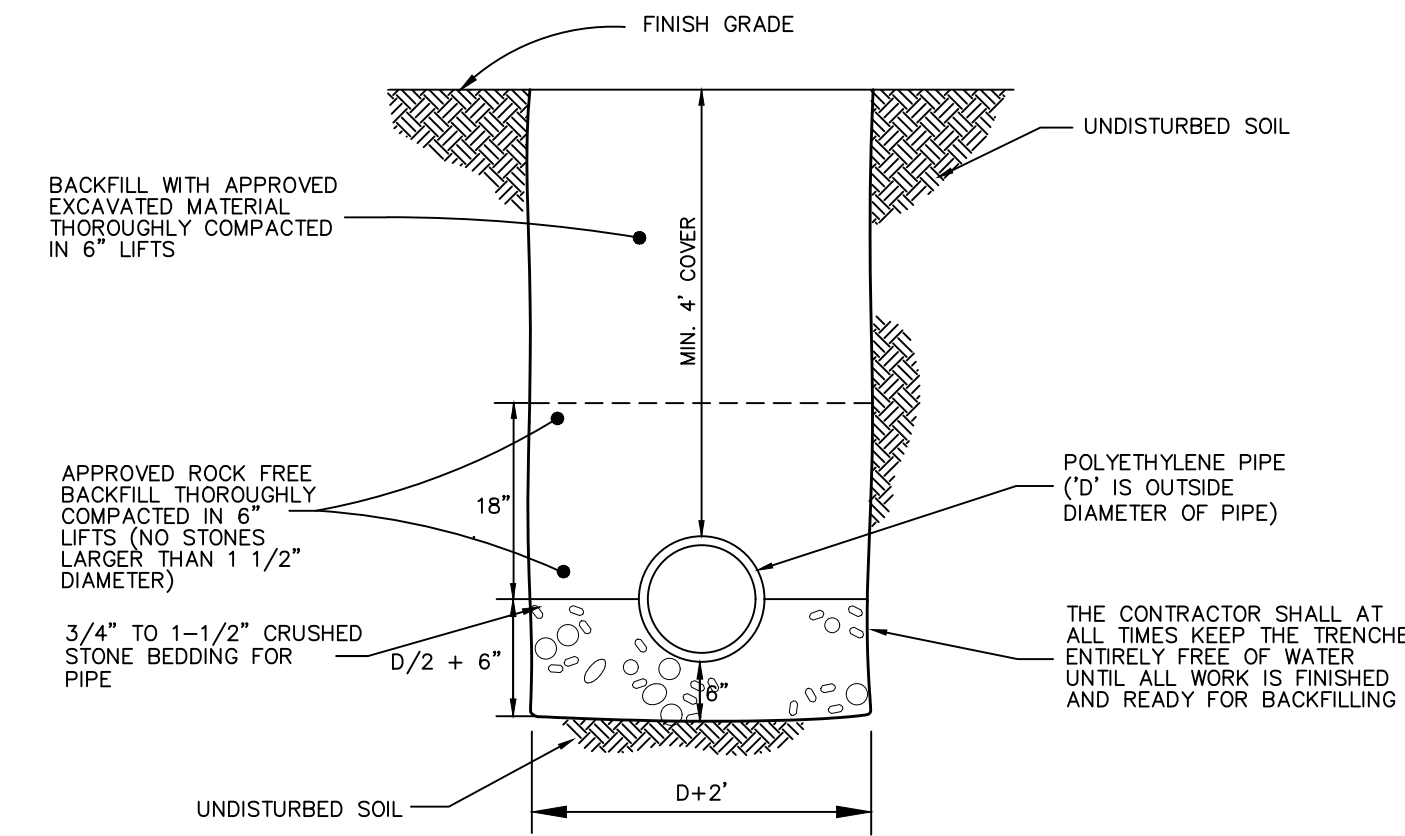
ITEM	GRAVEL WETLAND #1		GRAVEL WETLAND #2	
	ELEV	SIZE	ELEV	SIZE
ELEV A	308.50'		312.00'	
ELEV B	311.00'		314.00'	
ELEV C	312.00'		315.00'	
ELEV D	312.45'		315.65'	
ELEV E	313.00'		317.00'	
ELEV F	310.00'	N/A ROOF RUNOFF		
ELEV H	311.83'		314.83'	



TYPICAL PROFILE

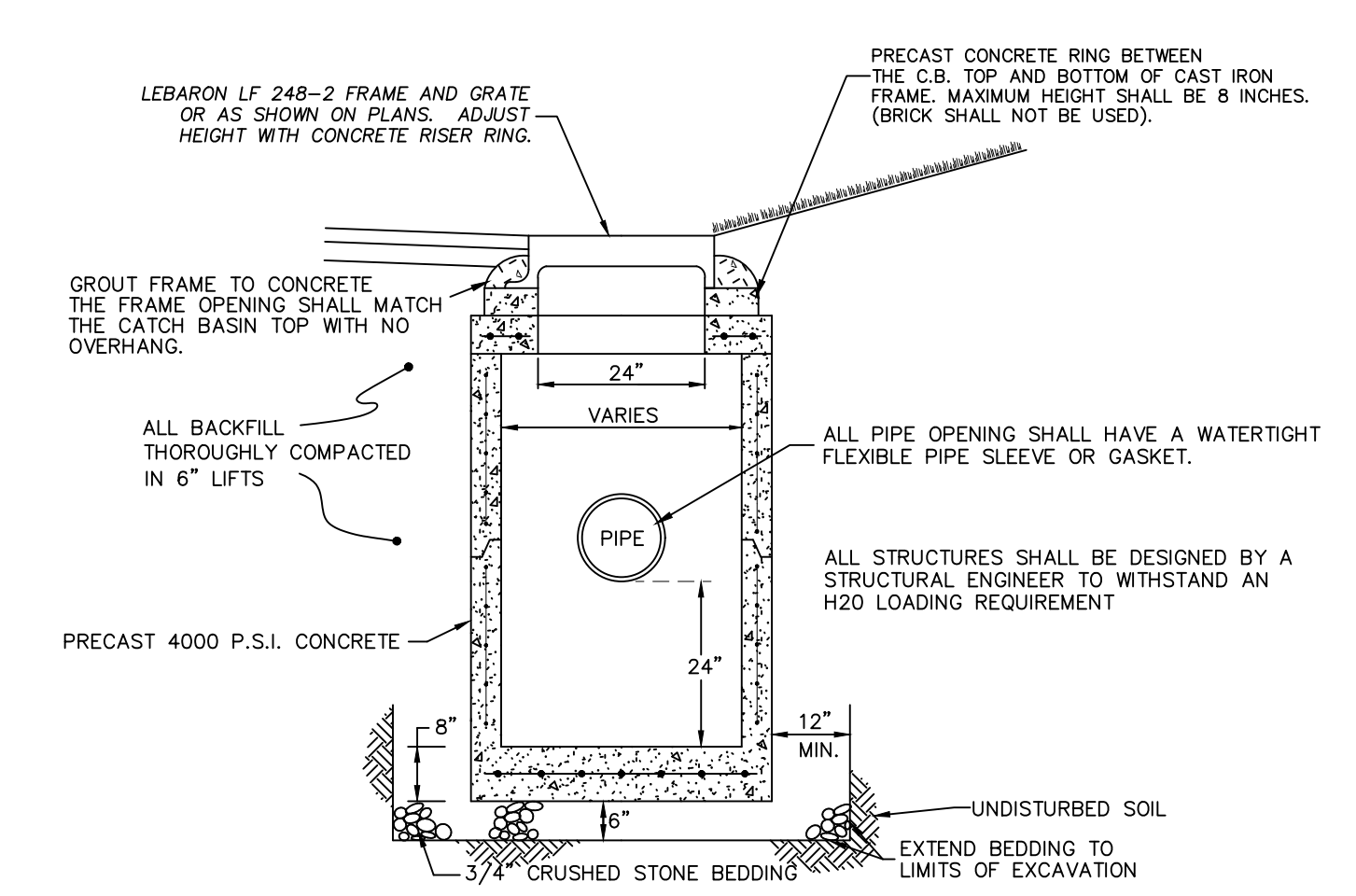
GRAVEL WETLAND DETAIL

NTS



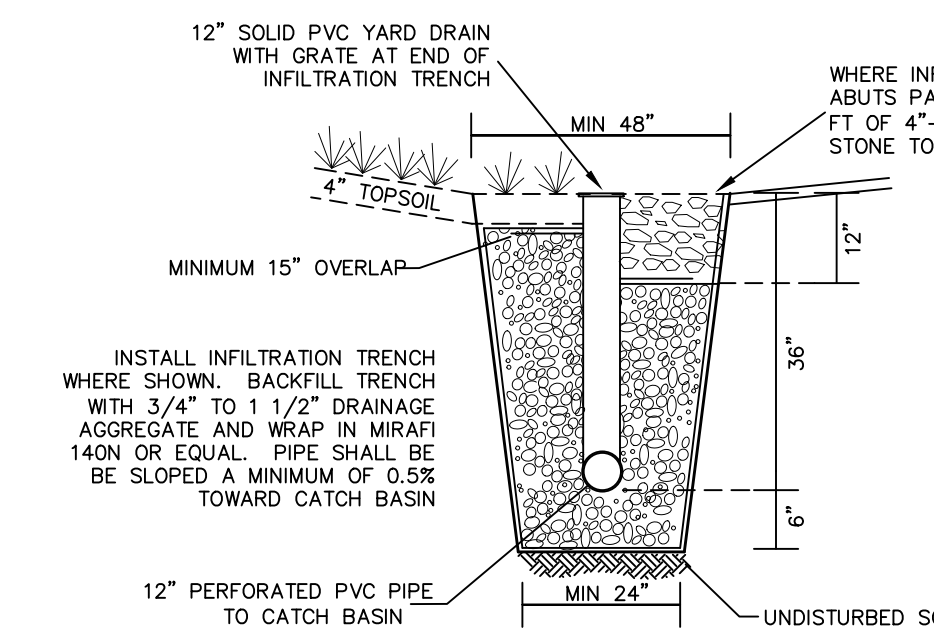
STORM DRAIN TRENCH

NTS



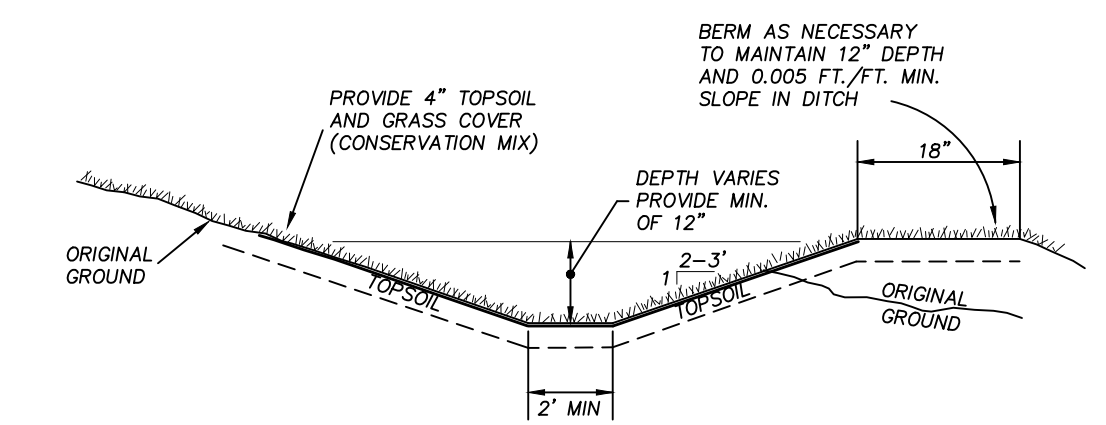
PRECAST CATCH BASIN

NTS



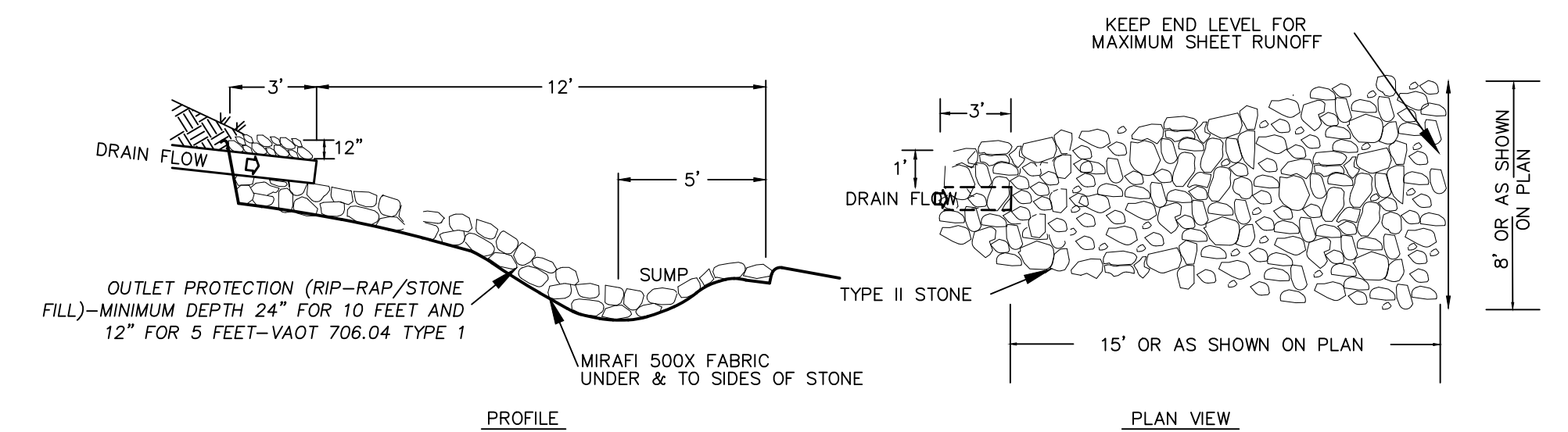
FRENCH DRAIN TRENCH

NTS



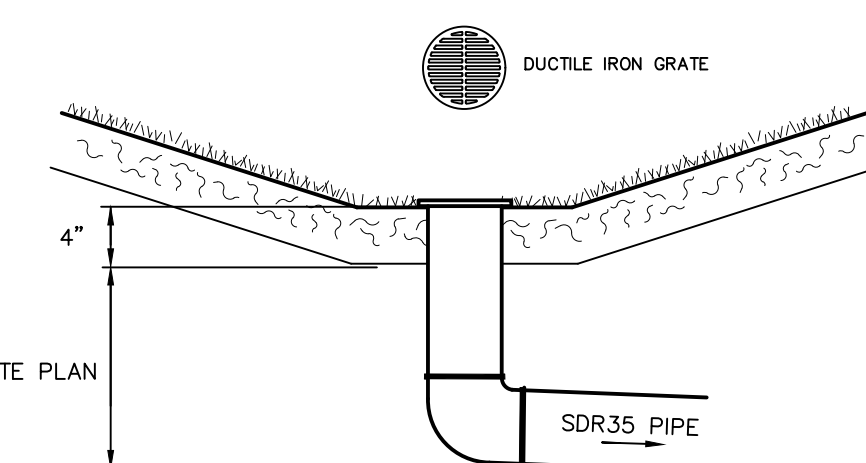
GRASS DRAINAGE SWALE

NTS



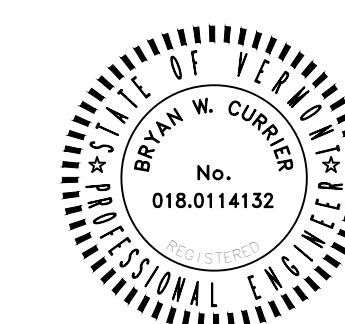
STORM OUTFALL DETAIL

NTS



YARD DRAIN

NTS



DATE	REVISION	BY
SURVEY	OBCA	DATE 3-18-21
DESIGN	BWC	JOB# 2019-03
DRAWN	BWC	FILE S13
CHECKED	PJW	PLAN SHEET # 9
SCALE		

RECORD DRAWING PRELIMINARY
 FINAL SKETCH/CONCEPT

O'LEARY-BURKE CIVIL ASSOCIATES, PLC
 13 CORPORATE DRIVE
 ESSAY, VT 05690
 PHONE: 878-9990
 FAX: 878-9989
 E-MAIL: ocb@olearyburke.com

Richmond Market
 Stormwater Details